

Reliable / Energy / Precision

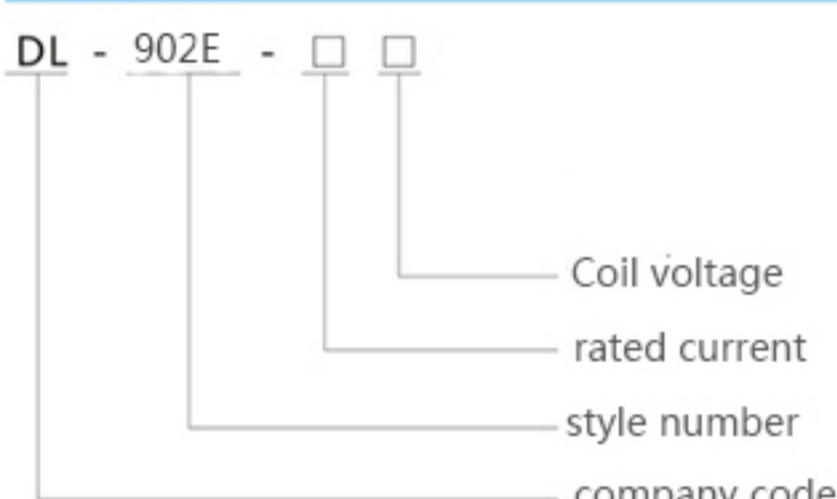
DL-902E

Can meet the technology requirements of the intelligent capacitor and phase selection switch(synchronized switch) when zero voltage switch on without inrush current and zero current off without arc .

- 1、 Less than 8ms under the rated voltage of the relay work time .
- 2、 Less than 0.2ms of the bounce when relay work.
- 3、 We suggest that constant current driven to keep good reproducibility and the deviation of work time less than 0.1ms after the long time working .



STYLE



feature

- ◆ pulsed excitation for single or double coil
- ◆ strongly load, available for 120A/250VAC
- ◆ as required by customer to weld the accessories
- ◆ outline dimension 52*43*22 (mm)

Features



Specification

Contact

Contact Form	1B	
Contact Resistance	Max.1.0mΩ(1A 6VDC)	
Contact material	Silver Alloy	
Contact Load(resistive)	100A 250VAC	120A 250VAC
Max. operating voltage	250VAC	
Max. operating current	100A	120A
Max.operating power	25KVA	30KVA
Lifetime	Mechanical life	5×10 ⁵ times
	Electrical life	1×10 ⁴ times
Max.short Current	3000A/10ms	3600A/10ms

Sepcification

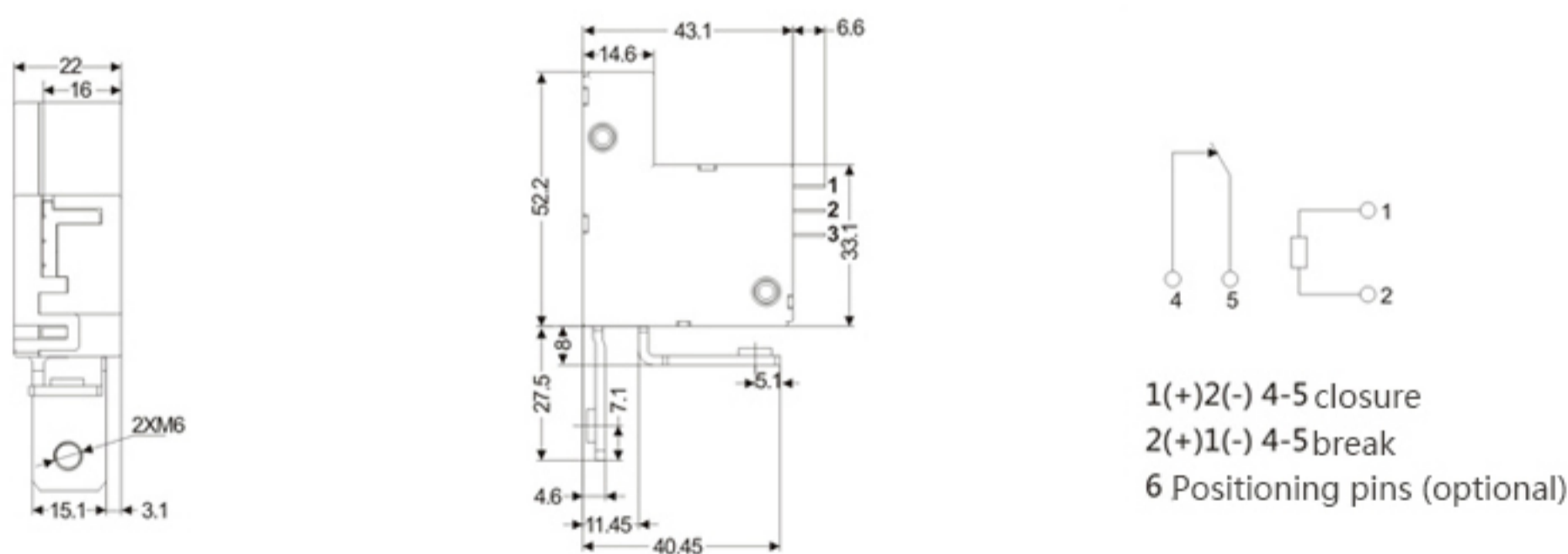
cut-in time (under rated voltage)	30ms Max	
turn-off time (under rated voltage)	30ms Max	
Relative humidity	45%-90%RH	
Dielectric strength	between dielectric and coil	4000VAC 50/60Hz(1Min)
	between trun-off coil	2000VAC 50/60Hz(1Min)
insulation reisitance	500MΩMin. (500VDC)	
Ambient humidity	-40°C~+70°C	
Shock	98m/s ²	
vibration	10-55HZ, 1.5mm	
weight (without accessories)	68g	

Coil sepcification (20°C)

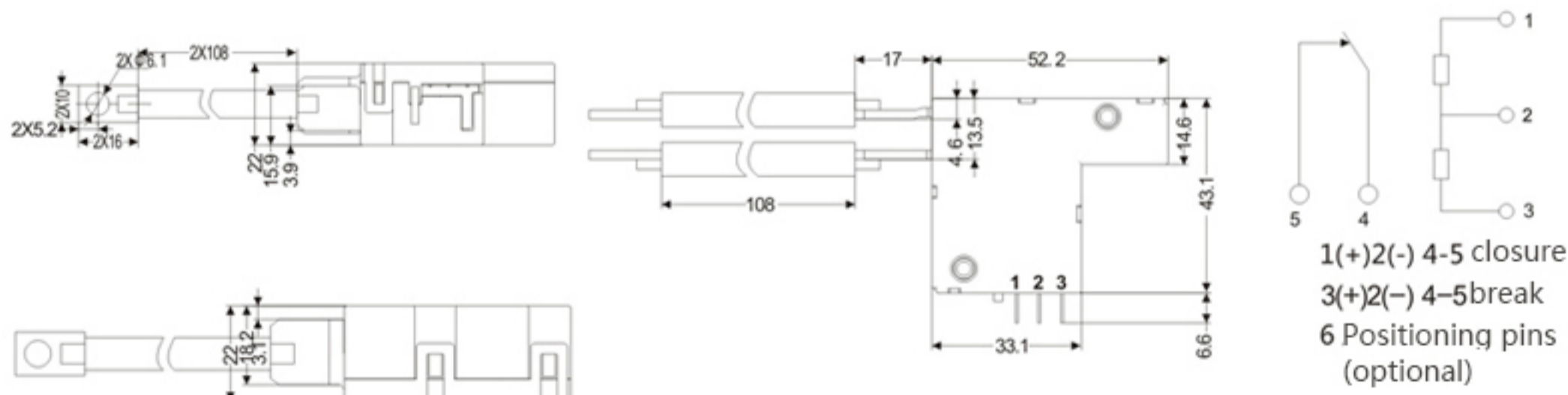
Rated voltage (VDC)	Coil reistance(Ω)±10%		coil power (W)		cut-in voltage (VDC)	turn-off voltage (VDC)	overvoltage (VDC)	pulse width (ms)
	Single coil	double coil	Single coil	double coil				
6VDC	16	8/8	2.4W	4.8W	≤75%	≤75%	≤150%	≥90ms
9VDC	34	17/17						
12VDC	62	31/31						
24VDC	250	125/125						
48VDC	1000	500/500						

outline dimension , wiring(Unit mm)

Single coil

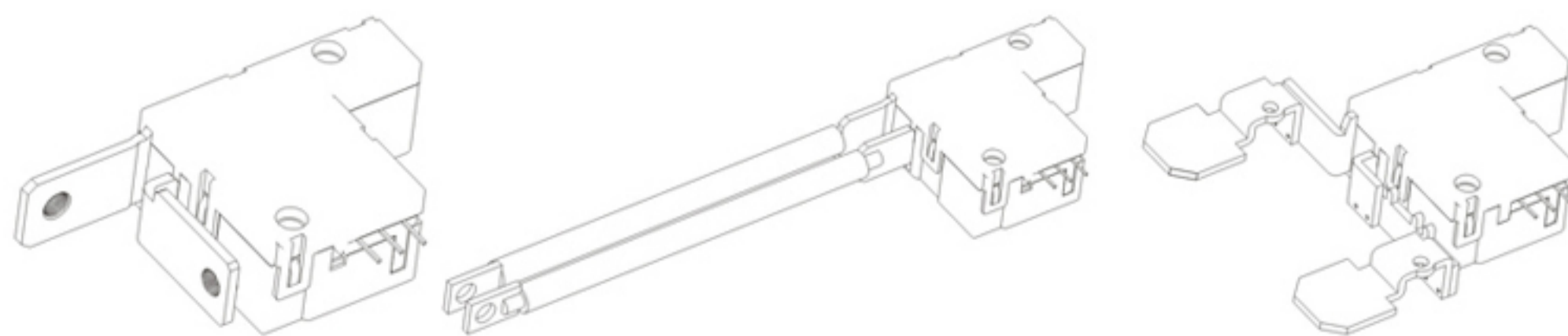


double coil



Note: Product not note tolerance, when the size is less than equal to 1mm, tolerance of plus or minus 0.2mm; when the size of 1 to 5mm, tolerance of plus or minus 0.3mm; when the size of greater than or equal 5mm, tolerance of plus or minus 0.5mm.

typical specifications diagram (unit: mm)



typical application

- intelligence electric meter
- power combination switch