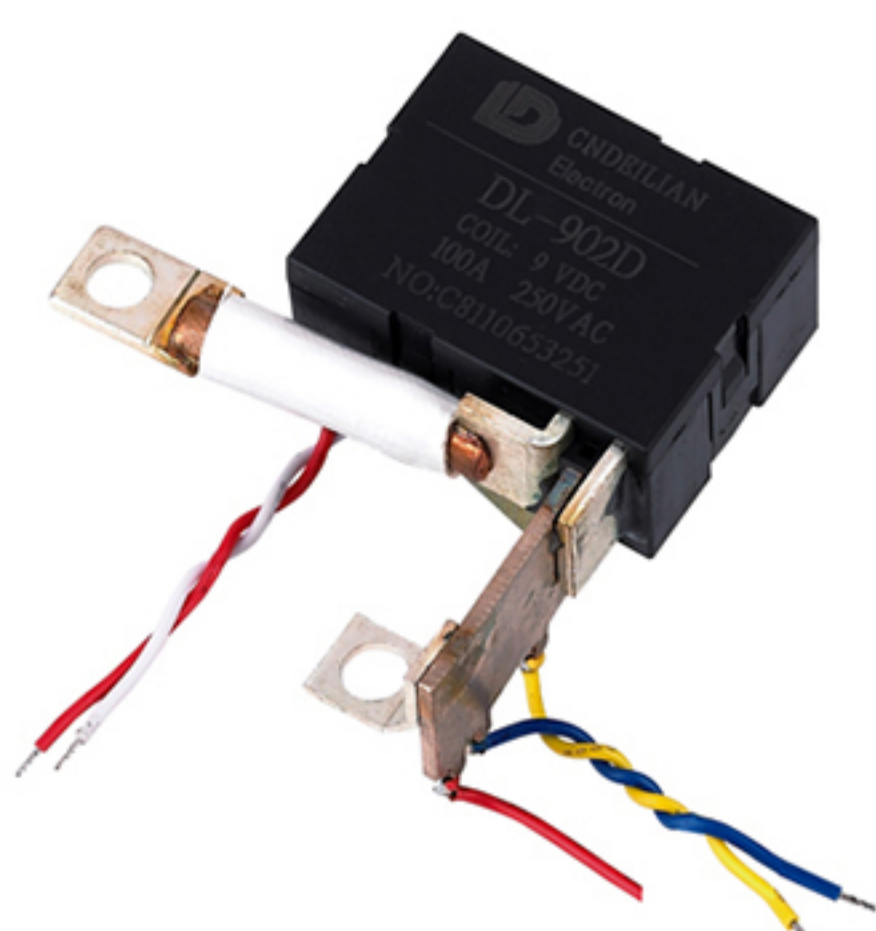
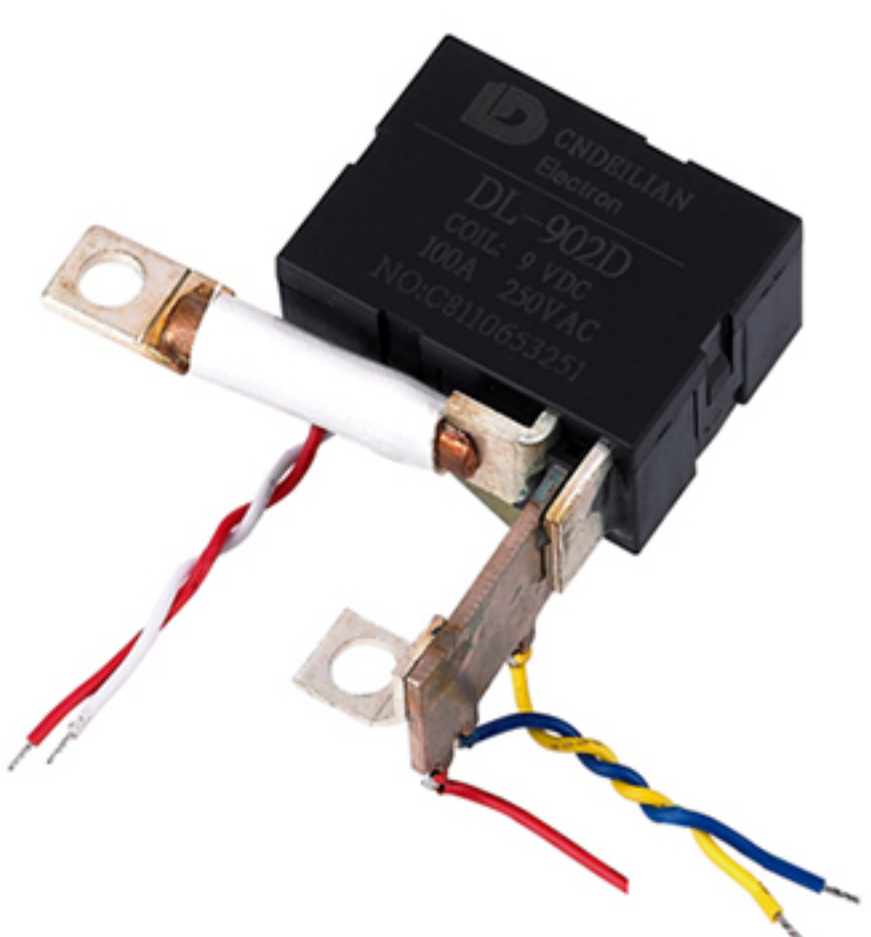


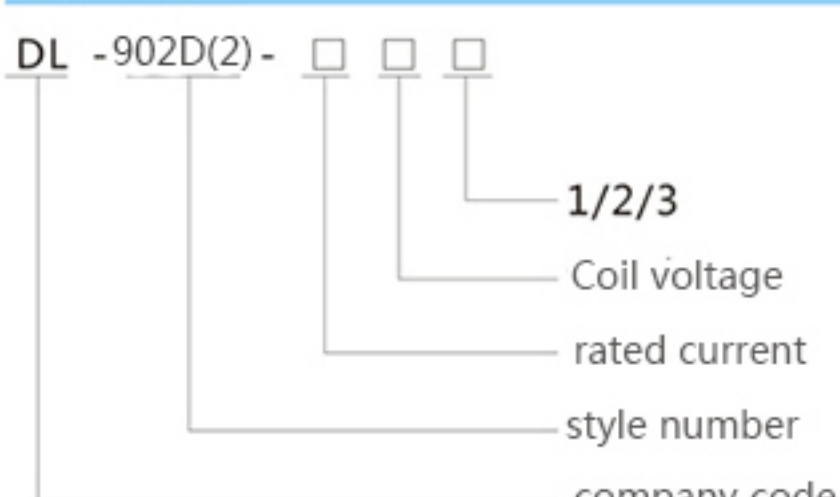
DL-902D (2)



Features



STYLE



feature

- pulsed excitation for single or double coil
- strongly load, available for 100A/250VAC
- as required by customer to weld the accessories
- outline dimension 40*31*21 (mm)

Specification

Contact

Contact Form	1B	
Contact Resistance	Max.1.0mΩ(1A 6VDC)	
Contact material	Silver Alloy	
Contact Load(resistive)	100A 250VAC	
Max. operating voltage	250VAC	
Max. operating current	100A	
Max.operating power	25KVA	
Lifetime	Mechanical life	5 × 10 ⁵ times
	Electrical life	1 × 10 ⁴ times
Max.short Current	3000A/10ms	

Sepcification

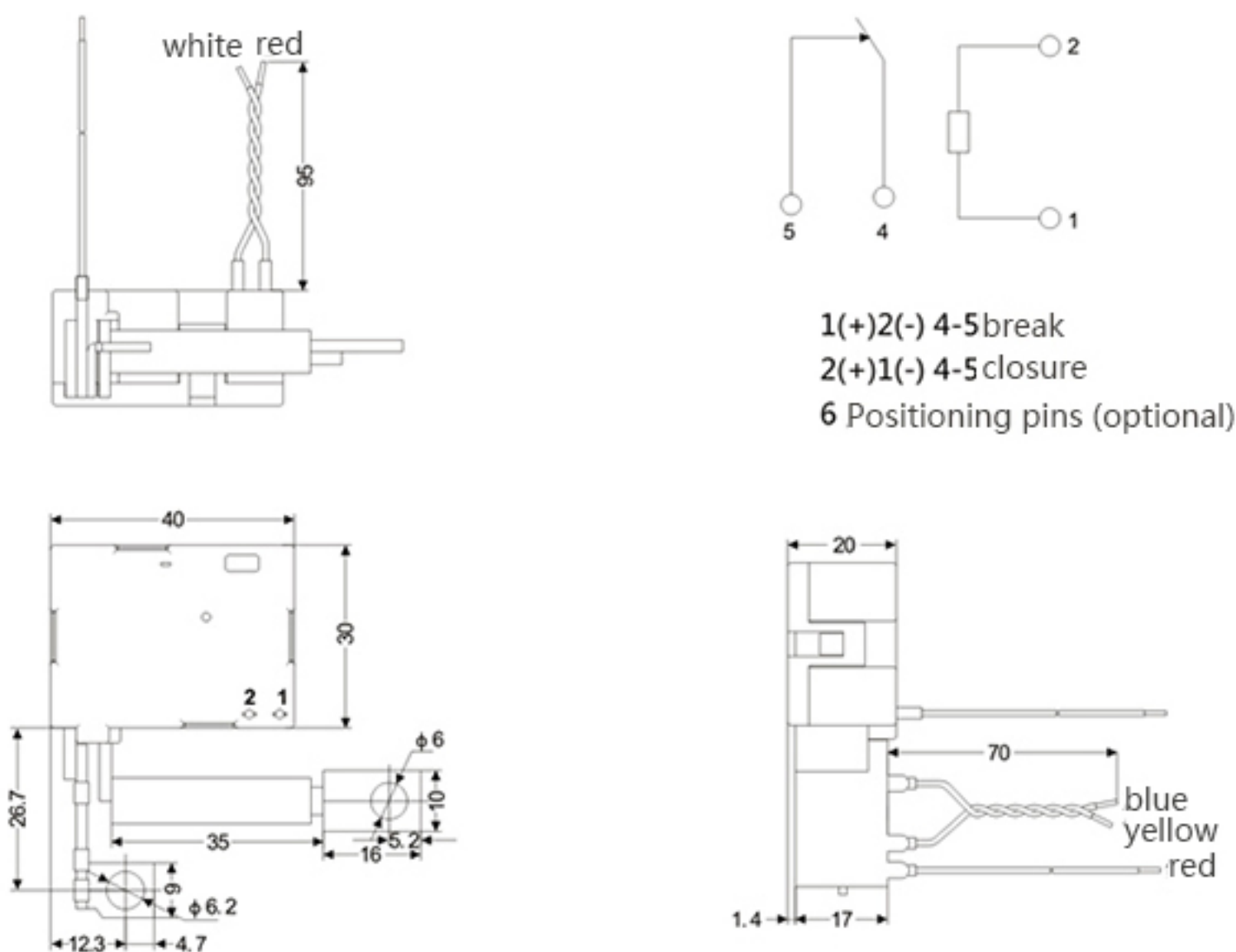
cut-in time (under rated voltage)	30ms Max	
turn-off time (under rated voltage)	30ms Max	
Relative humidity	45%-90%RH	
Dielectric strength	between dielectric and coil	4000VAC 50/60Hz(1Min)
	between trun-off coil	1500VAC 50/60Hz(1Min)
insulation reisitance	500MΩ Min. (500VDC)	
Ambient humidity	-40°C~+70°C	
Shock	98m/s ²	
vibration	10-55HZ, 1.5mm	
weight (without accessories)	65g	

Coil sepcification (20°C)

Rated voltage (VDC)	Coil resistance(Ω)±10%		coil power (W)		cut-in voltage (VDC)	turn-off voltage (VDC)	overvoltage (VDC)	pulse width (ms)
	Single coil	double coil	Single coil	double coil				
6VDC	24	12/12	1.5W	3.0W	≤75%	≤75%	≤150%	≥90ms
9VDC	60	30/30						
12VDC	96	48/48						
24VDC	384	192/192						
48VDC	1536	768/768						

outline dimension , wiring(Unit mm)

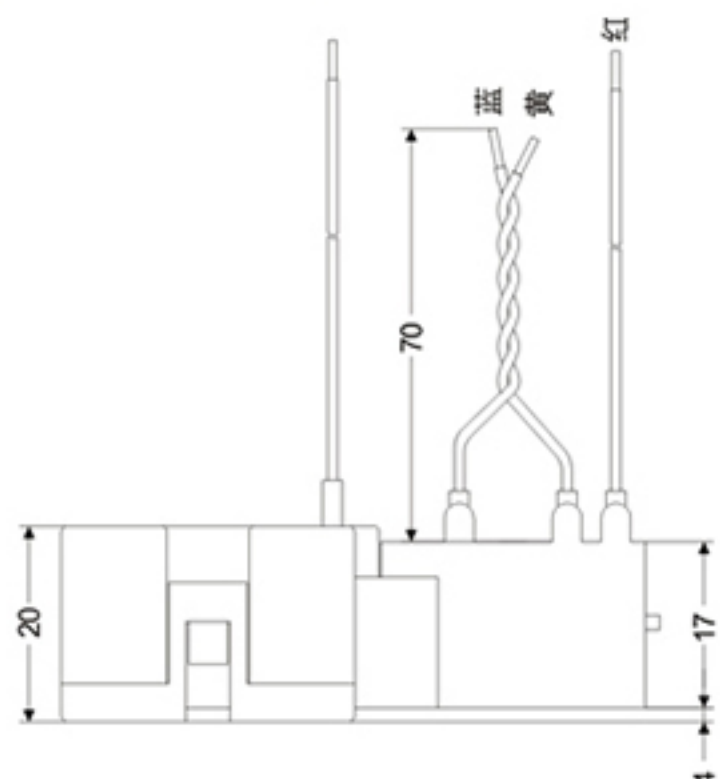
Single coil



Note: Product not note tolerance, when the size is less than equal to 1mm, tolerance of plus or minus 0.2mm; when the size of 1 to 5mm, tolerance of plus or minus 0.3mm; when the size of greater than or equal 5mm, tolerance of plus or minus 0.5mm.

typical specifications diagram (unit: mm)

DL-902D-100A-2



typical application

- intelligence electric meter
- electric remote control
- power combination switch