

Reliable / Energy / Precision

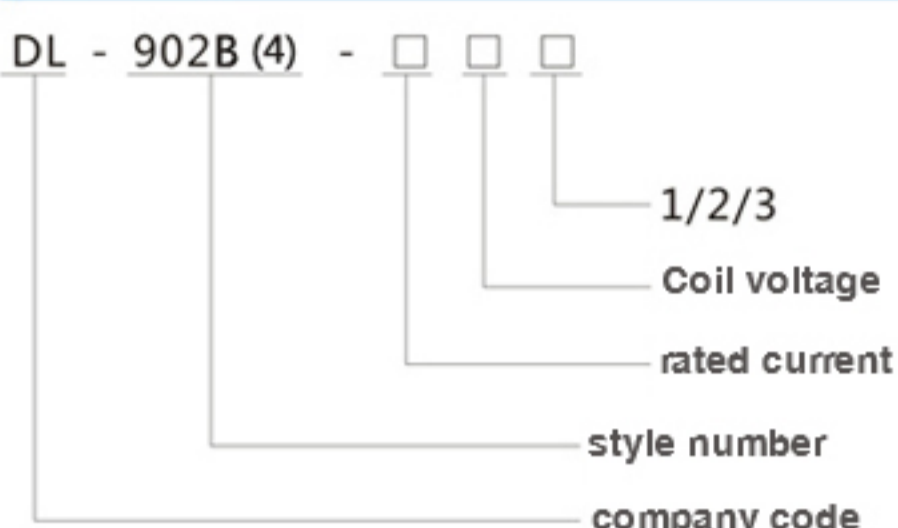
DL-902B (4)



Features



STYxLE



feature

- ◆ pulsed excitation for single or double coil
- ◆ low power, strongly load, available for 60A,80A/250VAC
- ◆ as required by customer to weld the accessories
- ◆ PCB available
- ◆ outline dimension 39*30*16.5 (mm)

Specification

Contact

Contact Form	1B	
Contact Resistance	Max.1.5mΩ(1A 6VDC)	
Contact material	Silver Alloy	
Contact Load(resistive)	60A 250VAC	80A 250VAC
Max. operating voltage	250VAC	
Max. operating current	60A	80A
Max.operating power	15KVA	20KVA
Lifetime	Mechanical life	5×10 ⁵ 次
	Electrical life	1×10 ⁴ 次
Max.short Current	1800A/10ms	2400A/10ms

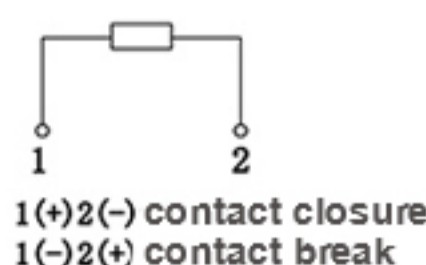
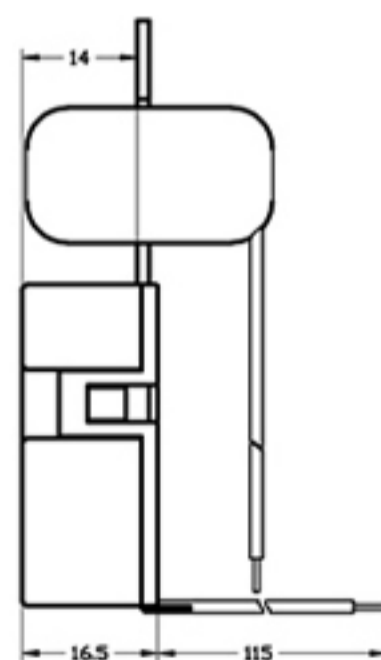
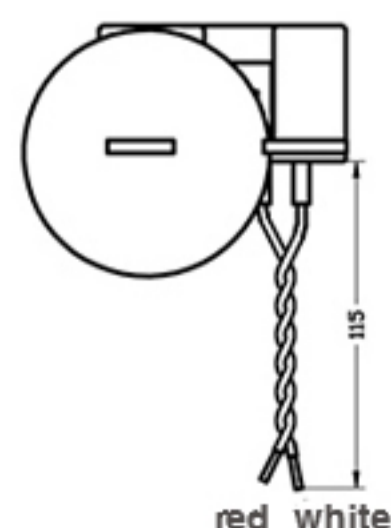
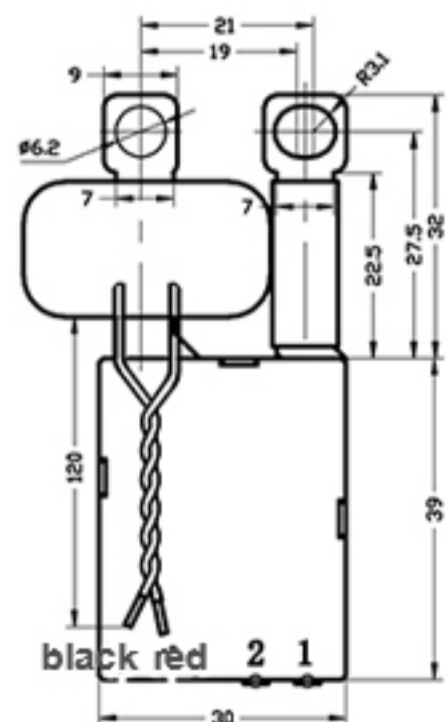
Sepcification

cut-in time(under rated voltage)	20ms Max	
urn-off time(under rated voltage)	20ms Max	
Relative humidity	45%~90%RH	
Dielectric strength	between dielectric and coil	4000VAC 50/60Hz(1Min)
	between trun-off coil	1500VAC 50/60Hz(1Min)
insulation reisitance	500MΩ Min.(500VDC)	
Ambient humidity	-40℃ ~ +70℃	
Shock	98m/s ²	
vibration	10~55Hz, 1.5mm	
weight (without accessories)	38g	40g

Coil sepcification (20°C)

Rated voltage (VDC)	Coil resistance(Ω)±10%		coil power (W)	cut-in voltage (VDC)	turn-off voltage (VDC)	overvoltage (VDC)	pulse width (ms)
	Single coil	Single coil					
6VDC	36		1.0W	≤70%	≤70%	≤150%	≥60ms
9VDC	81						
12VDC	144						
24VDC	576						

outline dimension, wiring(Unit mm)



typical application

- intelligence electric meter