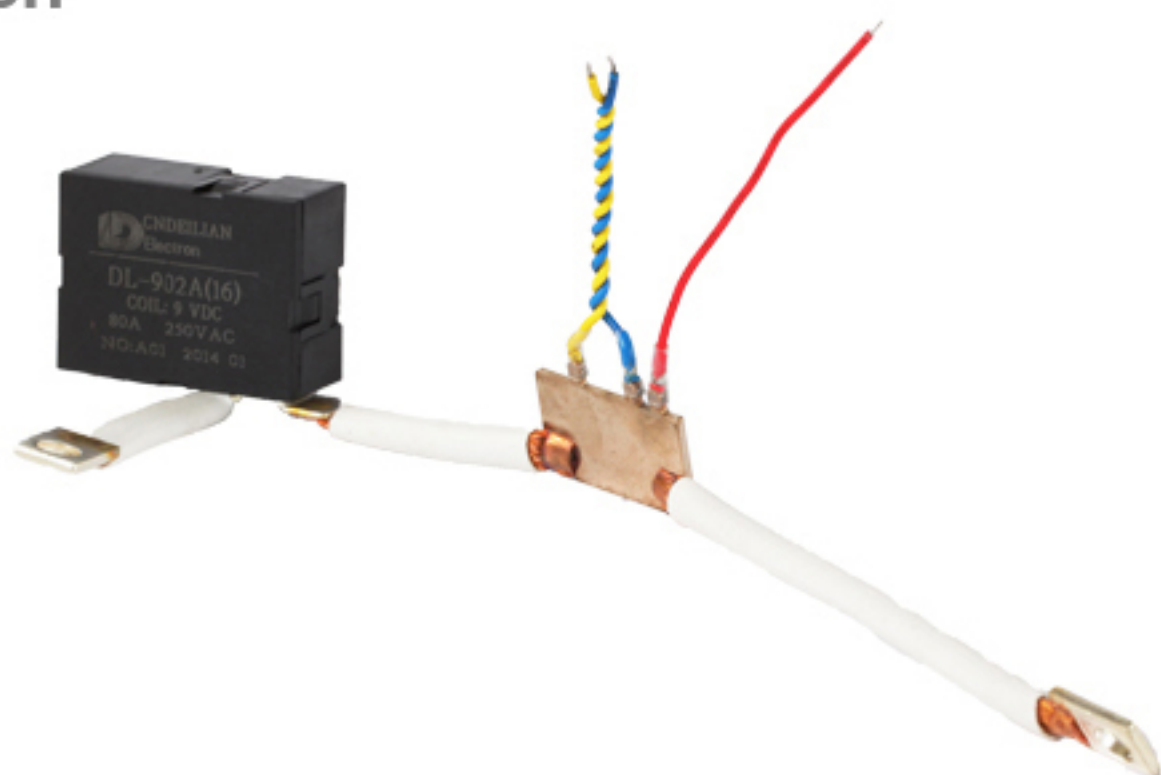
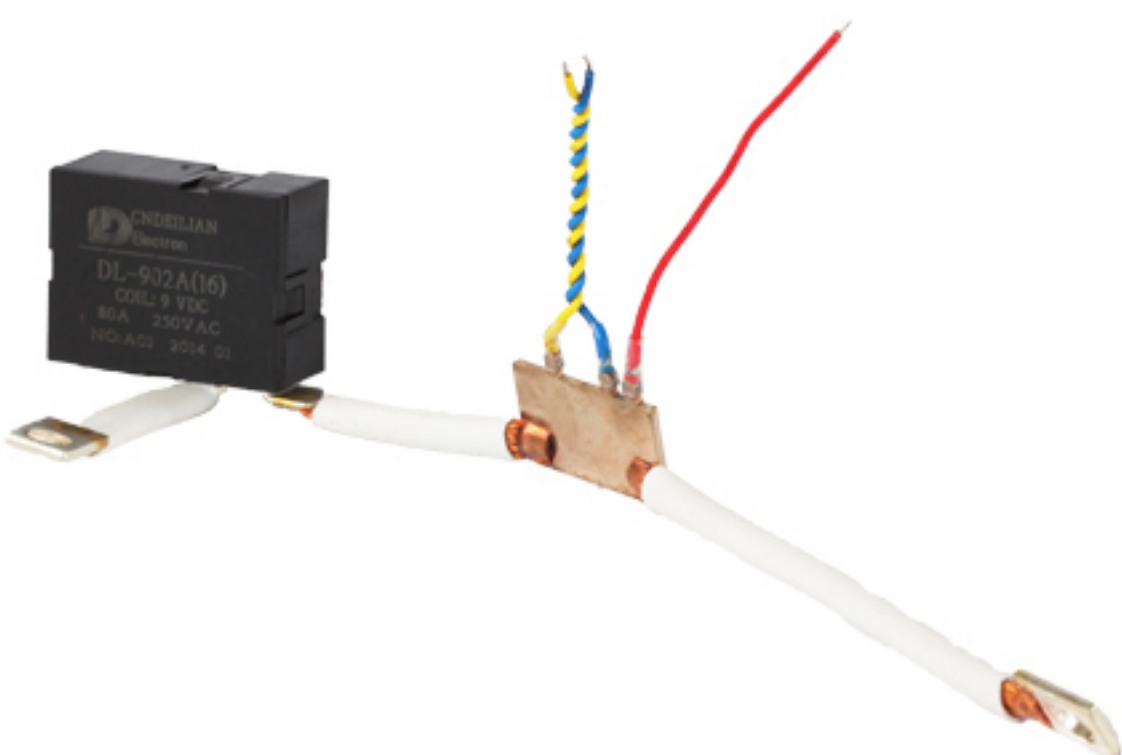


Reliable / Energy / Precision

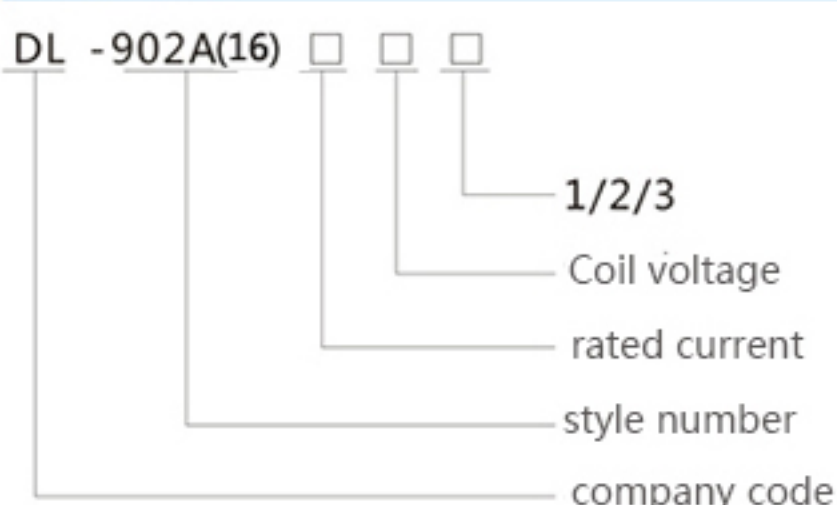
DL-902A (16)



Features



STYLE



feature :

- ◆ pulsed excitation for single or double coil
- ◆ low power, strongly load, available for 60A,80A/250VAC
- ◆ as required by customer to weld the accessories
- ◆ PCB available
- ◆ outline dimension 39*30*16.5 (mm)

Specification

Contact

| | | |
|-------------------------|--------------------|-------------------------|
| Contact Form | 1B | |
| Contact Resistance | Max.1.5mΩ(1A 6VDC) | |
| Contact material | Silver Alloy | |
| Contact Load(resistive) | 60A/250VAC | 80A/250VAC |
| Max. operating voltage | 250VAC | |
| Max. operating current | 60A | 80A |
| Max.operating power | 15KVA | 20KVA |
| Lifetime | Mechanical life | 5×10 ⁵ times |
| | Electrical life | 1×10 ⁴ times |
| Max.short Current | 1800A/10ms | 2400A/10ms |

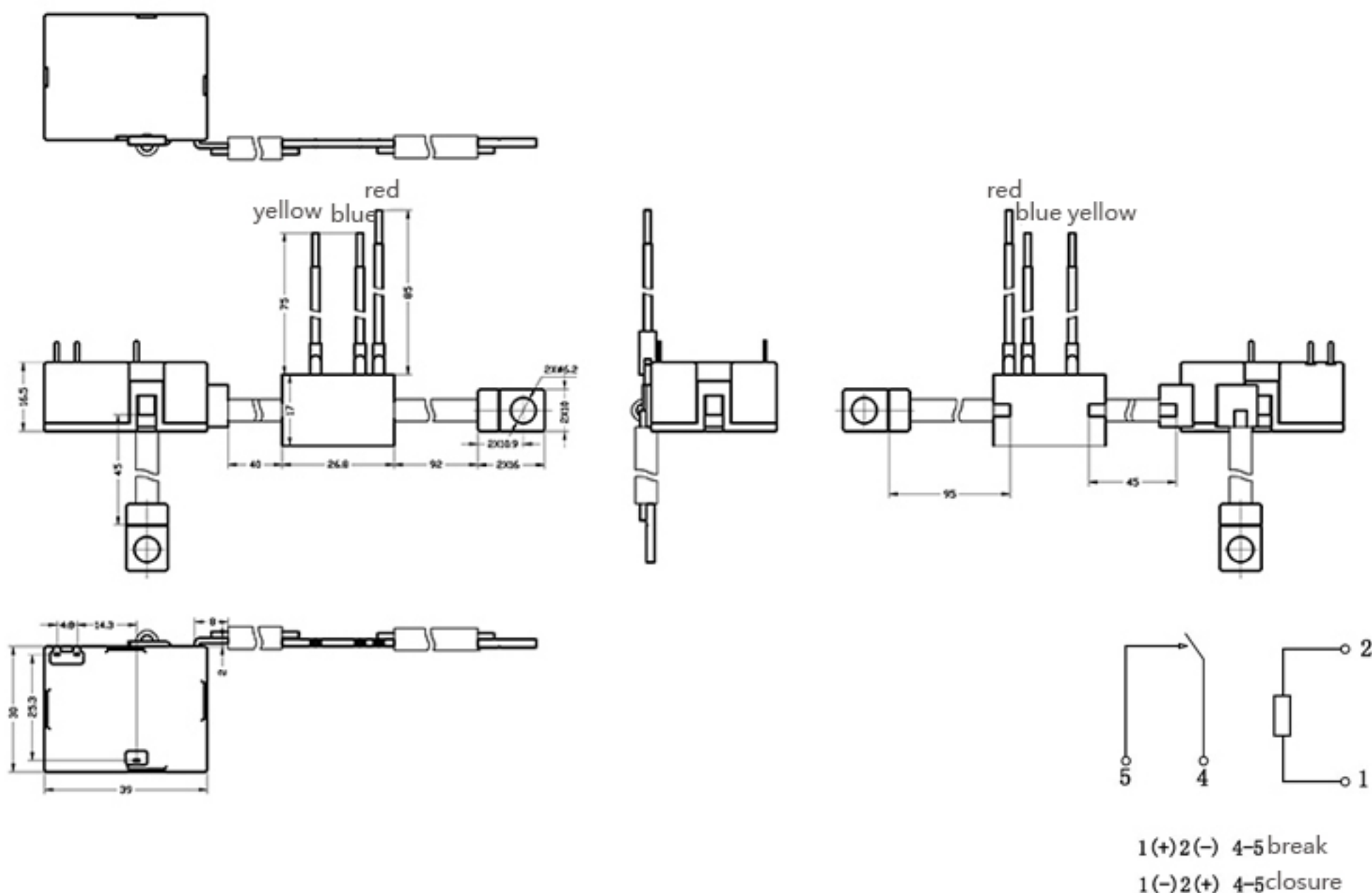
Sepcification

| | | |
|-------------------------------------|-----------------------------|-----------------------|
| cut-in time (under rated voltage) | 20ms Max | |
| turn-off time (under rated voltage) | 20ms Max | |
| Relative humidity | 45%~90%RH | |
| Dielectric strength | between dielectric and coil | 4000VAC 50/60Hz(1Min) |
| | between trun-off coil | 1500VAC 50/60Hz(1Min) |
| insulation reisance | 500MΩ Min.(500VDC) | |
| Ambient humidity | -40℃ ~ +70℃ | |
| Shock | 98m/s ² | |
| vibration | 10~55Hz, 1.5mm | |
| weight (without accessories) | 36g | 38.5g |

Coil sepcification (20℃)

| Rated voltage (VDC) | Coil resistance(Ω)±10% | | coil power (W) | | cut-in voltage (VDC) | turn-off voltage (VDC) | overvoltage (VDC) | pulse width (ms) |
|-----------------------|------------------------|-------------|----------------|-------------|----------------------|------------------------|-------------------|------------------|
| | Single coil | double coil | Single coil | double coil | | | | |
| 6VDC | 36 | 18/18 | 1.0W | 2.0W | ≤70% | ≤70% | ≤150% | ≥60ms |
| 9VDC | 81 | 40/40 | | | | | | |
| 12VDC | 144 | 72/72 | | | | | | |
| 24VDC | 576 | 288/288 | | | | | | |
| 48VDC | 2304 | 1150/1150 | | | | | | |

outline dimension , wiring(Unit mm)



typical application

- intelligence electric meter
- power combination switch