

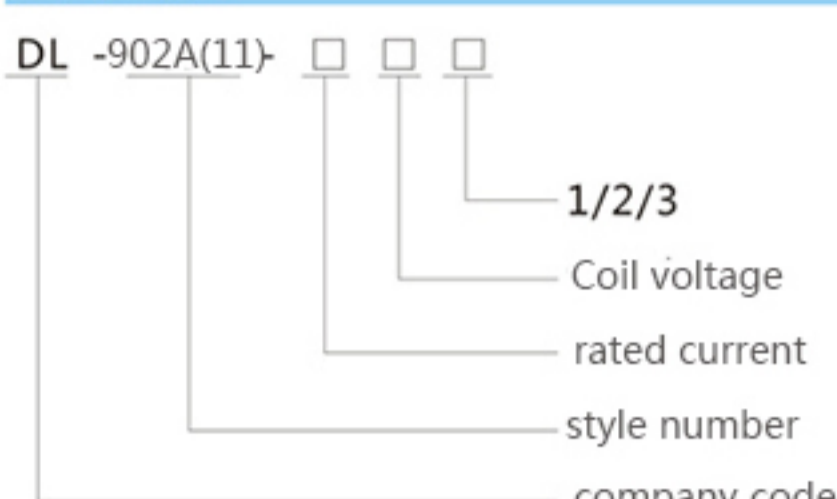
DL-902A (11)



Features



STYLE



feature :

- ◆ pulsed excitation for single or double coil
- ◆ low power, strongly load, available for 60A,80A/250VAC
- ◆ as required by customer to weld the accessories
- ◆ PCB available
- ◆ outline dimension 39*30*16.5 (mm)

Specification

Contact

Contact Form	1B	
Contact Resistance	Max.1.5mΩ(1A 6VDC)	
Contact material	Silver Alloy	
Contact Load(resistive)	60A/250VAC	80A/250VAC
Max. operating voltage	250VAC	
Max. operating current	60A	80A
Max.operating power	15KVA	20KVA
Lifetime	Mechanical life	5×10 ⁵ times
	Electrical life	1×10 ⁴ times
Max.short Current	1800A/10ms	2400A/10ms

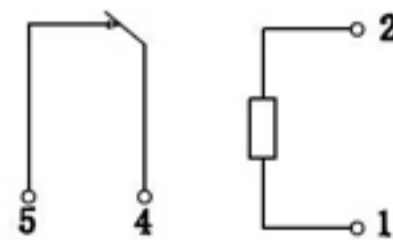
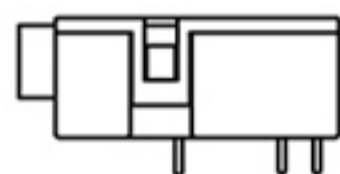
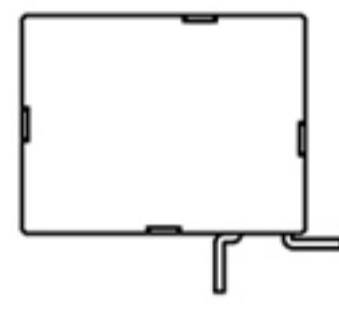
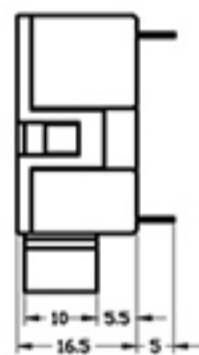
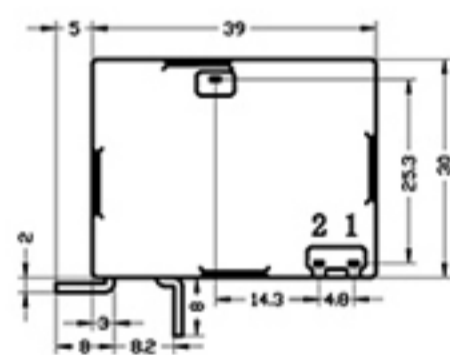
Sepcification

cut-in time (under rated voltage)	20ms Max	
turn-off time (under rated voltage)	20ms Max	
Relative humidity	45%~90%RH	
Dielectric strength	between dielectric and coil	4000VAC 50/60Hz(1Min)
	between trun-off coil	1500VAC 50/60Hz(1Min)
insulation reisitance	500M Ω Min.(500VDC)	
Ambient humidity	-40℃ ~ +70℃	
Shock	98m/s ²	
vibration	10~55Hz,1.5mm	
weight (without accessories)	36g	38.5g

Coil sepcification (20℃)

Rated voltage (VDC)	Coil reisistance(Ω)±10%		coil power (W)		cut-in voltage (VDC)	turn-off voltage (VDC)	overvoltage (VDC)	pulse width (ms)
	Single coil	double coil	Single coil	double coil				
6VDC	36	18/18	1.0W	2.0W	≤70%	≤70%	≤150%	≥60ms
9VDC	81	40/40						
12VDC	144	72/72						
24VDC	576	288/288						
48VDC	2304	1150/1150						

outline dimension , wiring(Unit mm)



1(+)-2(-) 4-5 closure
1(-)-2(+) 4-5 break

typical specifications diagram (unit: mm)



typical application

- intelligence electric meter
- power combination switch